

# KODEN

8-inch Color LCD  
Plotter Sounder

## CVG-80

*Best Performance*



**MAX**  
C-MAP NT

*Innovative Plotter/Sounder features versatility,  
performance and easy operation*

## FEATURES

### Best performance

The CVG-80 is compact in size and boasts the best performance in the 8-inch class of plotter/sounders.

### Easy installation & easy flush mount

It is easy to install either hanging or flush mount. With built-in flush mounting system, it is possible to screw in through the corners of the front display, therefore any other installation devices such as a mounting kit are not required.

### Plotter functions

A built-in C-map NT MAX worldwide base map (2 MB) is included as standard.

### Plenty of display modes

Variety of 13 types of menus such as plotter, sounder, plotter + sounder, compass and highway in the screen display. You can choose the appropriate display mode depending upon your needs.

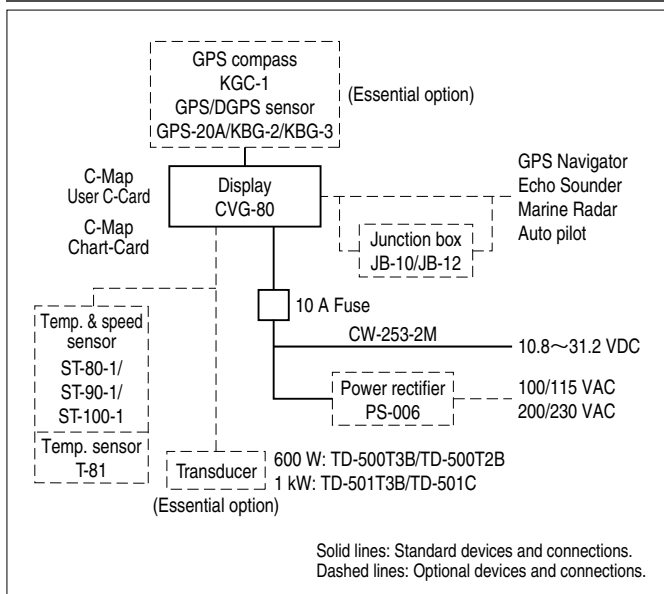
### Usable information with marks

The depth or temperature of water can be recorded with marks. This detailed information will be great help to recall the good spots.

## EQUIPMENT LIST

Standard equipments	Display unit with hard cover, Hood, Mounting bracket and Fixing knobs	1 set
	DC power cable, Installation material, Spare parts, Accessories and Operation manual	1 set
Essential options	GPS sensor, DGPS sensor or GPS compass, Transducer	
Options	Temp. & speed sensor, Connection cable for external device, Inner hull kit, Junction box, Power rectifier, AC power cable, Receiving antenna support fitting, Connector for other models	

## CONNECTIONS



## SPECIFICATIONS

### General

Display	8 inch color TFT LCD (480 x 640 pixels)
Display modes	Plotter, Sounder (Single/Dual presentation), Plotter + Sounder (Vertical/Horizontal split presentation), Compass and Highway
Power supply	10.8 to 31.2 VDC
Power consumption	40 W or less (at 24 VDC)
Water protection	IPX5

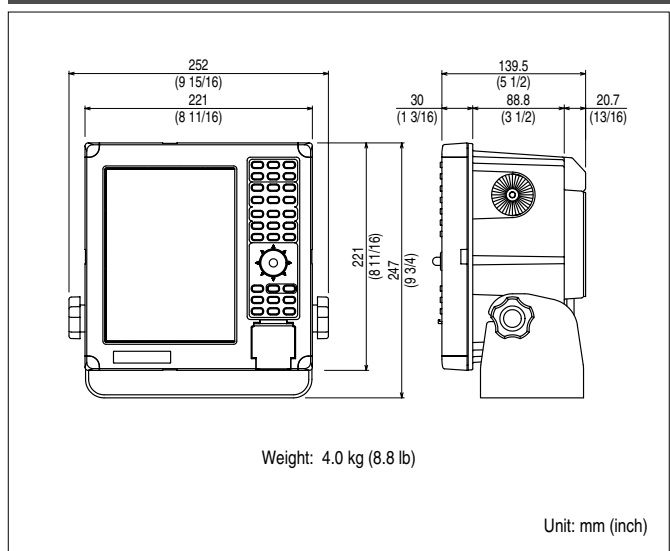
### Sounder Function

Output power	600 W or 1 kW
Presentation color	16 colors (Color palette can be changed) / Background: 9 colors
Frequency	Dual 50/200 kHz
Depth ranges	5 to 1200 (Meter / Fathom / Italian Fathom) 10 to 4000 (Feet)
Image shift	Auto or Manual 0 to 3000 (Meter / Fathom / Italian Fathom) 0 to 8000 (Feet)
Presentation modes	N: Normal (incl. Shift) Z: Zoom (Bottom lock, Bottom discrimination and Zoom) B.Z: Bottom zoom
Audible alarms	Fish alarm and Depth alarm
Image speed	Fixed 11 speed (4/1, 3/1, 2/1, 1/1, 1/2, 1/3, 1/4, 1/6, 1/8, 1/12, 1/16) and stop
Auto functions	Depth range, Shift and Gain

### Plotter Function

Presentation modes	Head up, North up, Course up, Own ship center fixed mode, 3 fix scale and Other ship plot mode with ATA
Effective projection area	0.01 to 3600 nm (near the equator)
Plot interval	1 to 600 sec. or 0.01 to 10 nm
Map projection	Mercator
Usable area	80 degree latitude or below
Memory & storage capability	Track: 2000, 4000, 7000 x 7 blocks Mark (waypoint): 8300 points Route: 50 routes with 50 points Graphics: 500 points x 7 blocks Other ship's track: 1000 points x 10 targets
Audible alarms	Arrival, POB and Cross track error
Chart	C-Map NT / NT+ / NT MAX

## DIMENSIONS AND WEIGHT



• Design and specifications are subject to change without notice.

**KODEN** Koden Electronics Co., Ltd.

Tamagawa Office:  
2-13-24 Tamagawa, Ota-ku, Tokyo, 146-0095 Japan  
Tel: +81-3-3756-6501 Fax: +81-3-3756-6509

Uenohara Office:  
5278 Uenohara, Uenohara-shi, Yamanashi, 409-0112 Japan  
Tel: +81-554-20-5860 Fax: +81-554-20-5875

overseas@koden-electronics.co.jp

www.koden-electronics.co.jp



**Safety precaution**

To ensure proper and safe use of the equipment, please carefully read and follow the instructions in the Operation Manual.

For details, please contact: